

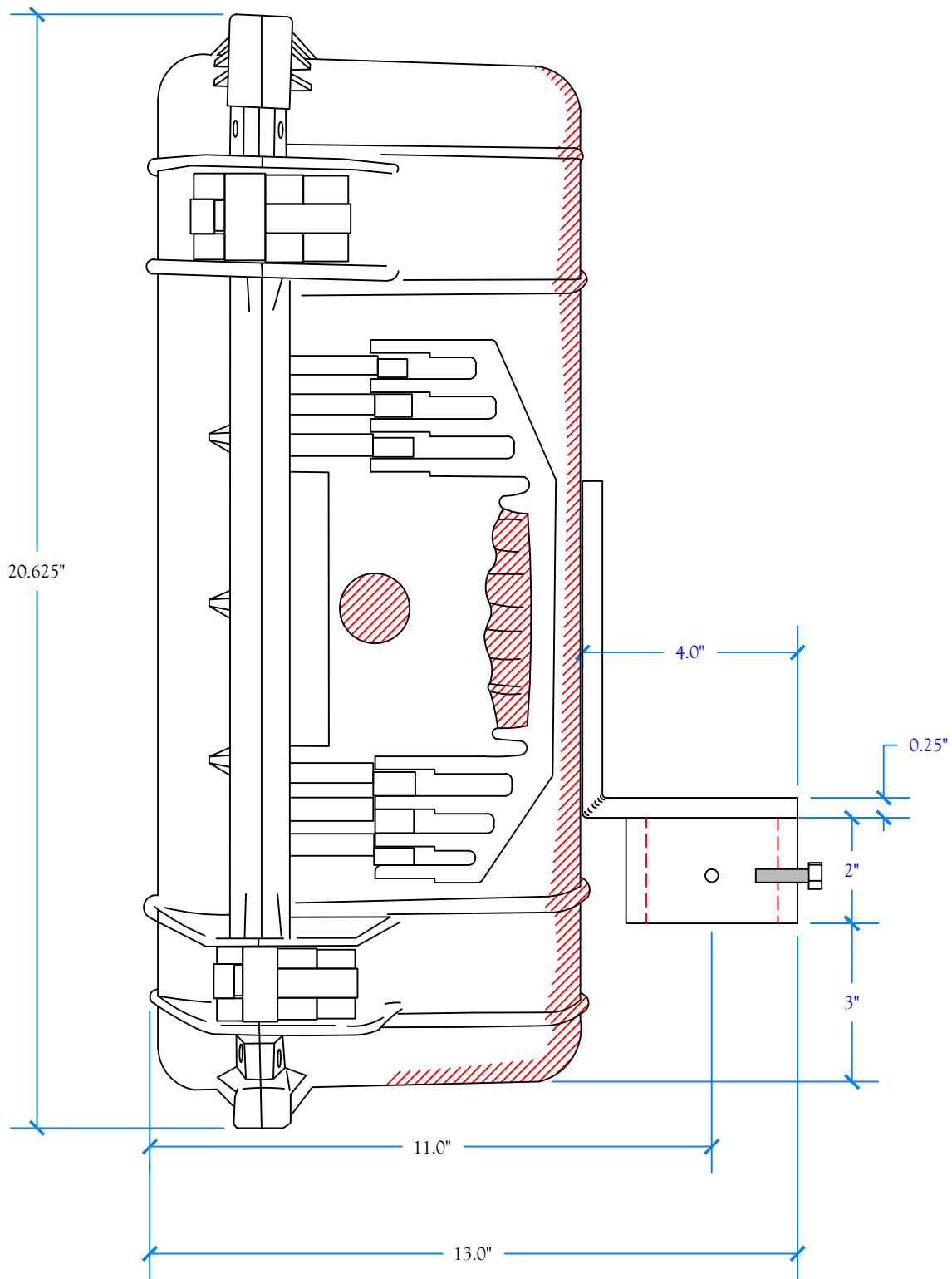
"Best Recorder Made, Period"

DWG NAME Pipe Mount (BACK VIEW)

FOR PRODUCT: TECH CAL RECORDER 12"

REVISED 1/14/15 DRAWN BY GG APPROVED BY GG SCALE N.T.S. SHEET .

**TECH CAL RECORDERS**  
 3538 PINEMONT DR. HOUSTON, TEXAS 77018  
 OFFICE: 713-692-1600 FAX: 713-692-1722  
 E-MAIL: INFO@TECHCAL.COM WWW.TECHCAL.COM



"Best Recorder Made, Period"

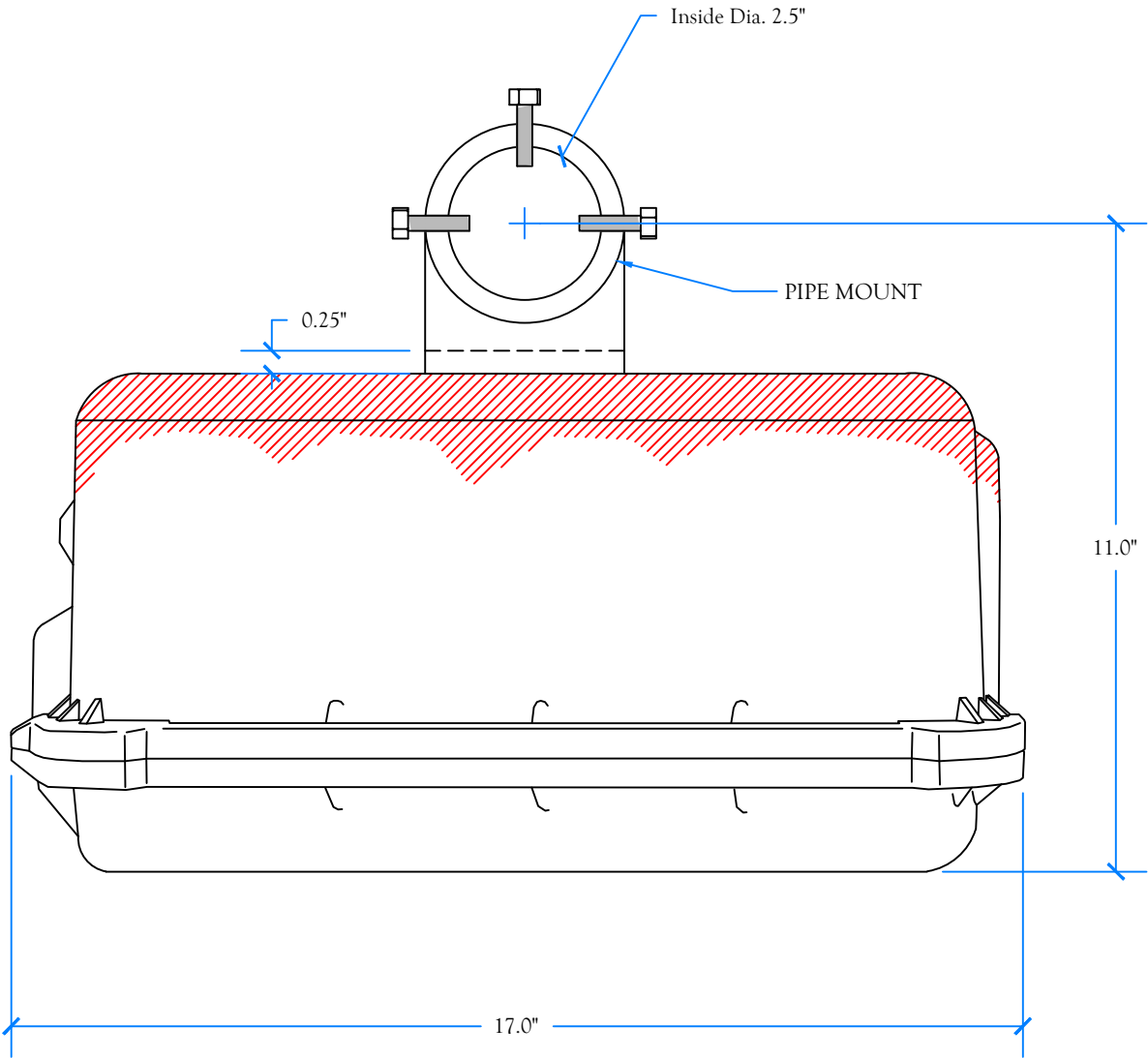
DWG NAME Pipe Mount (SIDE VIEW)

FOR PRODUCT: TECH CAL RECORDER 12"

REVISED 1/14/15 DRAWN BY GG APPROVED BY GG SCALE N.T.S. SHEET .

**TECH CAL RECORDERS**

3538 PINEMONT DR. HOUSTON, TEXAS 77018  
 OFFICE: 713-692-1600 FAX: 713-692-1722  
 E-MAIL: INFO@TECHCAL.COM WWW.TECHCAL.COM



**"Best Recorder Made, Period"**

DWG NAME Pipe Mount (BOTTOM VIEW)

FOR PRODUCT: TECH CAL RECORDER 12"

REVISED 1/14/15 DRAWN BY GG APPROVED BY GG SCALE N.T.S. SHEET .

**TECH CAL RECORDERS**

3538 PINEMONT DR. HOUSTON, TEXAS 77018

OFFICE: 713-692-1600 FAX: 713-692-1722

E-MAIL: INFO@TECHCAL.COM WWW.TECHCAL.COM