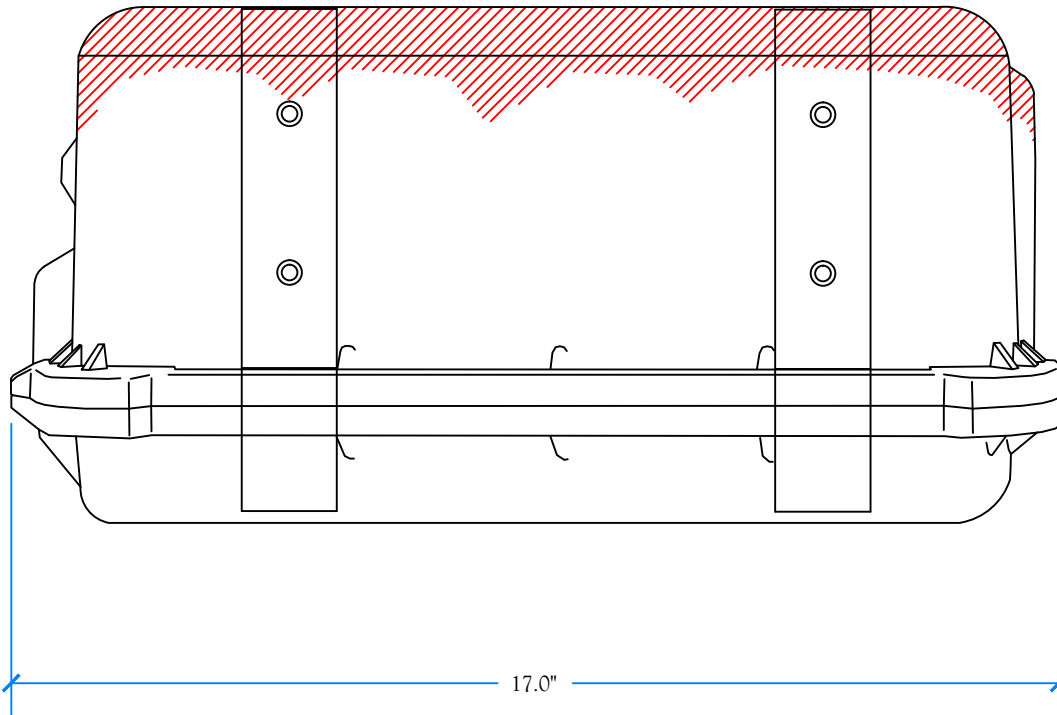


"Best Recorder Made, Period"

DWG NAME		Portable Unit (BACK VIEW)			
FOR PRODUCT:		TECH CAL RECORDER 12"			
REVISED	1/14/15	DRAWN BY	GG	APPROVED BY	GG
SCALE		N.T.S.		SHEET .	
TECH CAL RECORDERS 3538 PINEMONT DR. HOUSTON, TEXAS 77018 OFFICE: 713-692-1600 FAX: 713-692-1722 E-MAIL: INFO@TECHCAL.COM WWW.TECHCAL.COM					



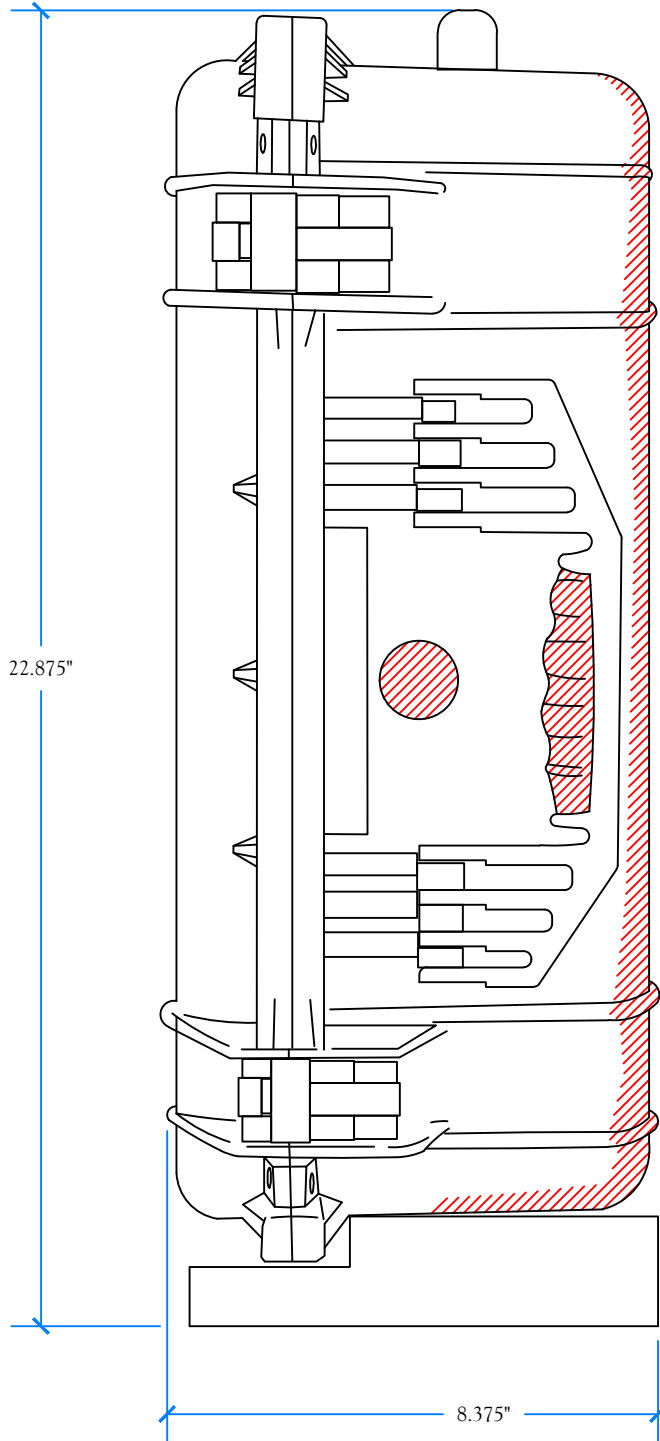
"Best Recorder Made, Period"

DWG NAME	Portable Unit (BOTTOM VIEW)				
----------	-----------------------------	--	--	--	--

FOR PRODUCT:	TECH CAL RECORDER 12"				
--------------	-----------------------	--	--	--	--

REVISED	1/14/15	DRAWN BY	GG	APPROVED BY	GG	SCALE	N.T.S.	SHEET	.
---------	---------	----------	----	-------------	----	-------	--------	-------	---

<p>TECH CAL RECORDERS 3538 PINEMONT DR. HOUSTON, TEXAS 77018 OFFICE: 713-692-1600 FAX: 713-692-1722 E-MAIL: INFO@TECHCAL.COM WWW.TECHCAL.COM</p>									
--	--	--	--	--	--	--	--	--	--



"Best Recorder Made, Period"

DWG NAME		Portable Unit (SIDE VIEW)			
FOR PRODUCT:		TECH CAL RECORDER 12"			
REVISED	1/14/15	DRAWN BY	GG	APPROVED BY	GG
SCALE		N.T.S.		SHEET .	
TECH CAL RECORDERS 3538 PINEMONT DR. HOUSTON, TEXAS 77018 OFFICE: 713-692-1600 FAX: 713-692-1722 E-MAIL: INFO@TECHCAL.COM WWW.TECHCAL.COM					