

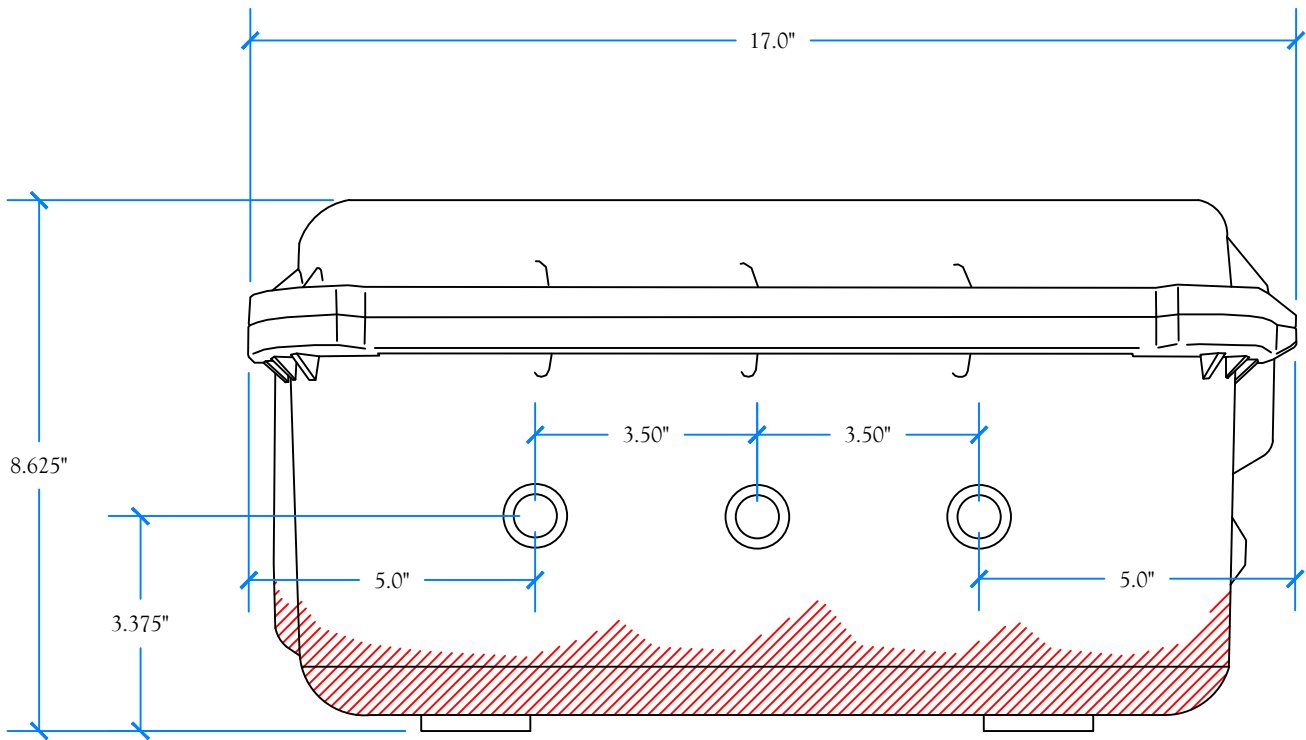
"Best Recorder Made, Period"

DWG NAME **Wall Mount (BACK VIEW)**

FOR PRODUCT: **TECH CAL RECORDER 12"**

REVISED **1/14/15** DRAWN BY **GG** APPROVED BY **GG** SCALE **N.T.S.** SHEET **.**

TECH CAL RECORDERS
 3538 PINEMONT DR. HOUSTON, TEXAS 77018
 OFFICE: 713-692-1600 FAX: 713-692-1722
 E-MAIL: INFO@TECHCAL.COM WWW.TECHCAL.COM



"Best Recorder Made, Period"

DWG NAME Wall Mount (BOTTOM VIEW)

FOR PRODUCT: TECH CAL RECORDER 12"

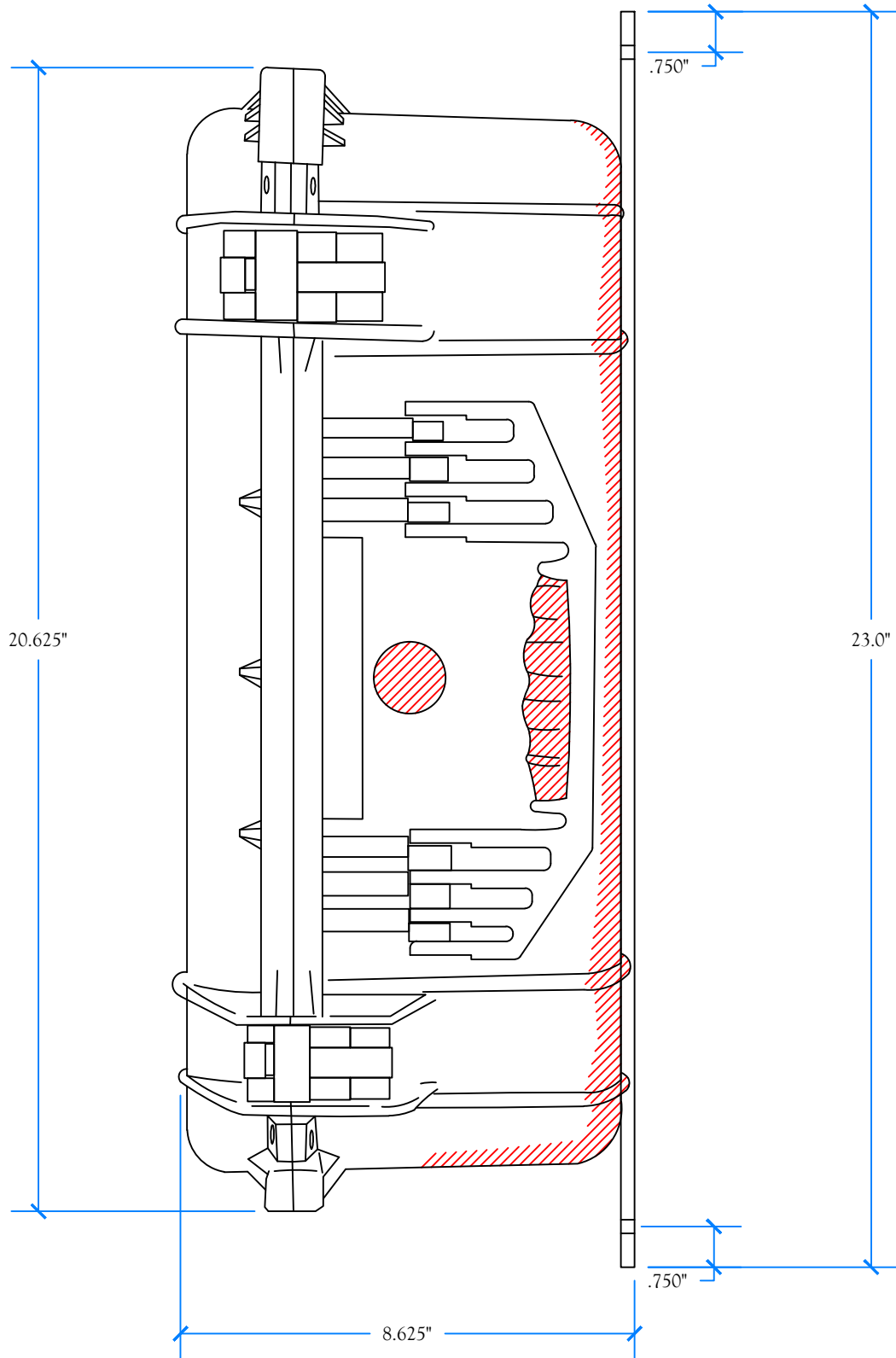
REVISED 1/14/15 DRAWN BY GG APPROVED BY GG SCALE N.T.S. SHEET .

TECH CAL RECORDERS

3538 PINEMONT DR. HOUSTON, TEXAS 77018

OFFICE: 713-692-1600 FAX: 713-692-1722

E-MAIL: INFO@TECHCAL.COM WWW.TECHCAL.COM



"Best Recorder Made, Period"

DWG NAME Wall Mount (SIDE VIEW)

FOR PRODUCT: TECH CAL RECORDER 12"

REVISED 1/14/14	DRAWN BY GG	APPROVED BY GG	SCALE N.T.S.	SHEET .
-----------------	-------------	----------------	--------------	---------

TECH CAL RECORDERS
 3538 PINEMONT DR. HOUSTON, TEXAS 77018
 OFFICE: 713-692-1600 FAX: 713-692-1722
 E-MAIL: INFO@TECHCAL.COM WWW.TECHCAL.COM