

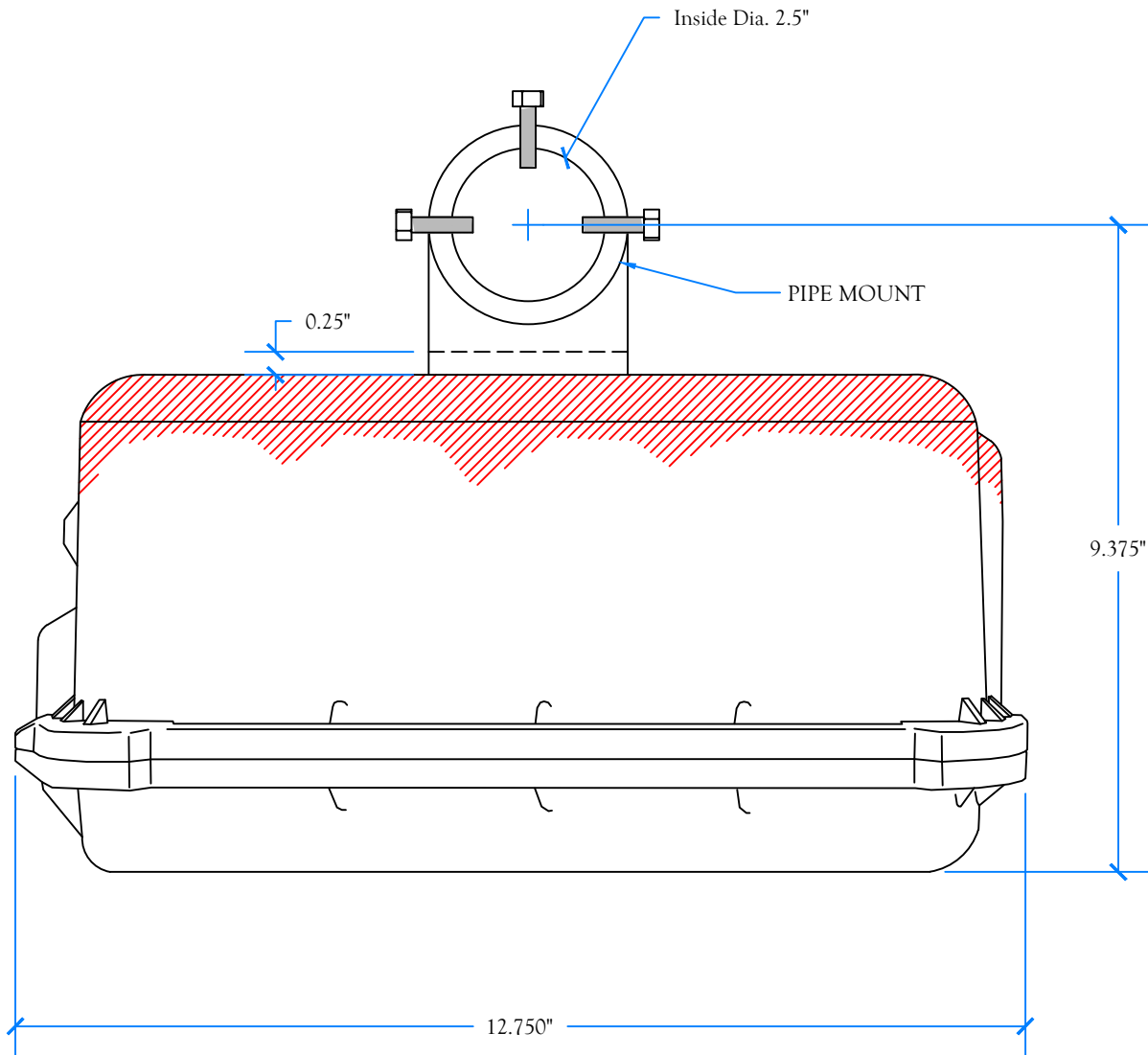
"Best Recorder Made, Period"

DWG NAME Pipe Mount (BACK VIEW)

FOR PRODUCT: TECH CAL RECORDER 8"

REVISED 1/14/15	DRAWN BY GG	APPROVED BY GG	SCALE N.T.S.	SHEET .
-----------------	-------------	----------------	--------------	---------

TECH CAL RECORDERS
 3538 PINEMONT DR. HOUSTON, TEXAS 77018
 OFFICE: 713-692-1600 FAX: 713-692-1722
 E-MAIL: INFO@TECHCAL.COM WWW.TECHCAL.COM



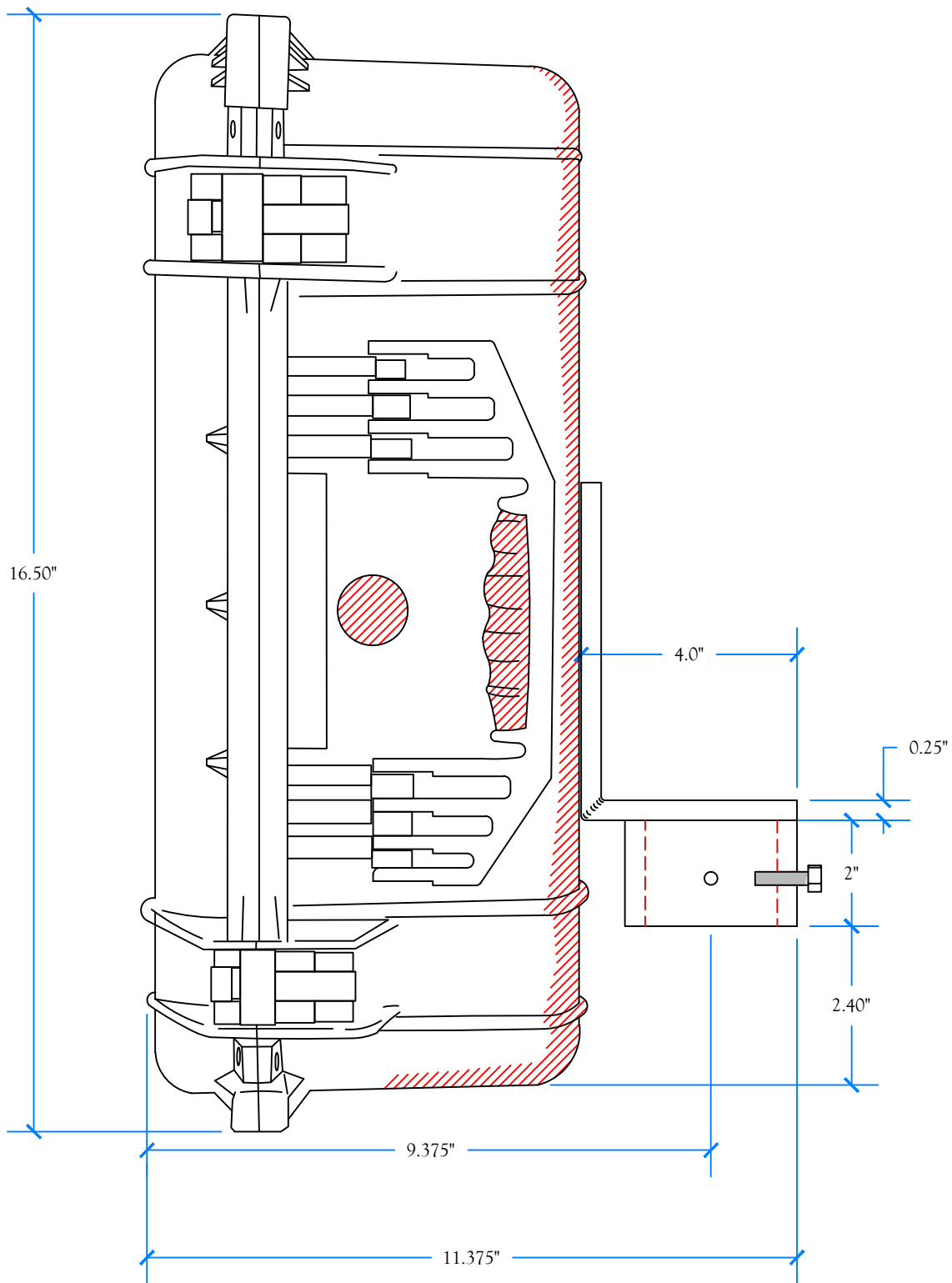
"Best Recorder Made, Period"

DWG NAME Pipe Mount (BOTTOM VIEW)

FOR PRODUCT: TECH CAL RECORDER 8"

REVISED	1/14/15	DRAWN BY	GG	APPROVED BY	GG	SCALE	N.T.S.	SHEET	.
---------	---------	----------	----	-------------	----	-------	--------	-------	---

TECH CAL RECORDERS
 3538 PINEMONT DR. HOUSTON, TEXAS 77018
 OFFICE: 713-692-1600 FAX: 713-692-1722
 E-MAIL: INFO@TECHCAL.COM WWW.TECHCAL.COM



"Best Recorder Made, Period"

DWG NAME Pipe Mount (SIDE VIEW)

FOR PRODUCT: TECH CAL RECORDER 8"

REVISED 1/14/15 DRAWN BY GG APPROVED BY GG SCALE N.T.S. SHEET .

TECH CAL RECORDERS

3538 PINEMONT DR. HOUSTON, TEXAS 77018

OFFICE: 713-692-1600 FAX: 713-692-1722

E-MAIL: INFO@TECHCAL.COM WWW.TECHCAL.COM