

"Best Recorder Made, Period"

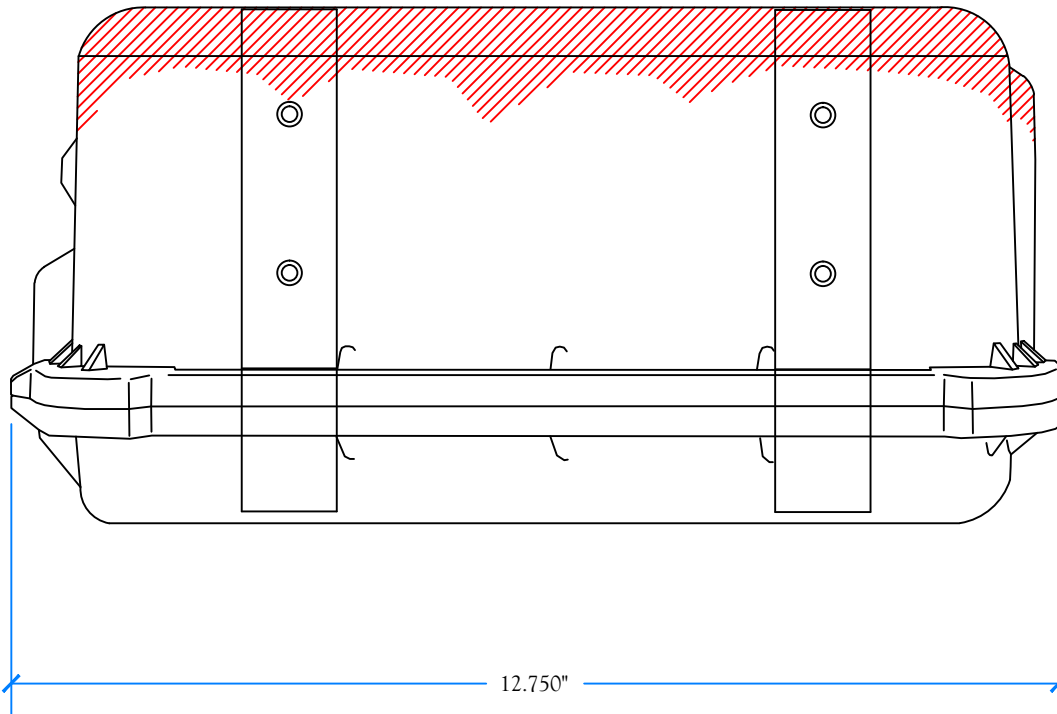
DWG NAME Portable Unit (BACK VIEW)

FOR PRODUCT: TECH CAL RECORDER 8"

REVISED 1/14/15	DRAWN BY GG	APPROVED BY GG	SCALE N.T.S.	SHEET .
-----------------	-------------	----------------	--------------	---------

TECH CAL RECORDERS

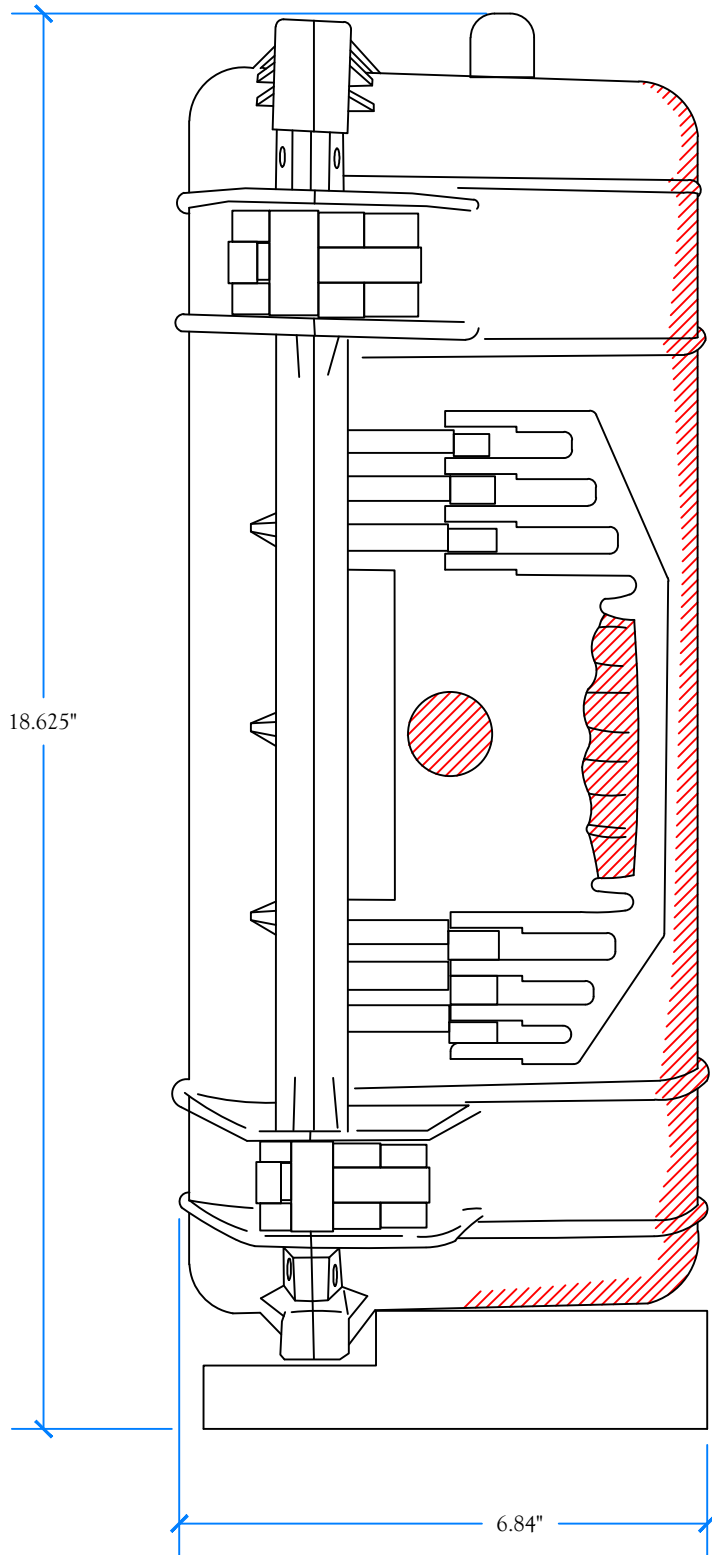
3538 PINEMONT DR. HOUSTON, TEXAS 77018
 OFFICE: 713-692-1600 FAX: 713-692-1722
 E-MAIL: INFO@TECHCAL.COM WWW.TECHCAL.COM



"Best Recorder Made, Period"

DWG NAME		Portable Unit (BOTTOM VIEW)			
FOR PRODUCT:		TECH CAL RECORDER 8"			
REVISED	1/14/15	DRAWN BY	GG	APPROVED BY	GG
SCALE		N.T.S.		SHEET .	

TECH CAL RECORDERS
 3538 PINEMONT DR. HOUSTON, TEXAS 77018
 OFFICE: 713-692-1600 FAX: 713-692-1722
 E-MAIL: INFO@TECHCAL.COM WWW.TECHCAL.COM



18.625"

6.84"



"Best Recorder Made, Period"

DWG NAME **Portable Unit (SIDE VIEW)**

FOR PRODUCT: **TECH CAL RECORDER 8"**

REVISED **1/14/15** DRAWN BY **GG** APPROVED BY **GG** SCALE **N.T.S.** SHEET **.**

TECH CAL RECORDERS
 3538 PINEMONT DR. HOUSTON, TEXAS 77018
 OFFICE: 713-692-1600 FAX: 713-692-1722
 E-MAIL: INFO@TECHCAL.COM WWW.TECHCAL.COM